

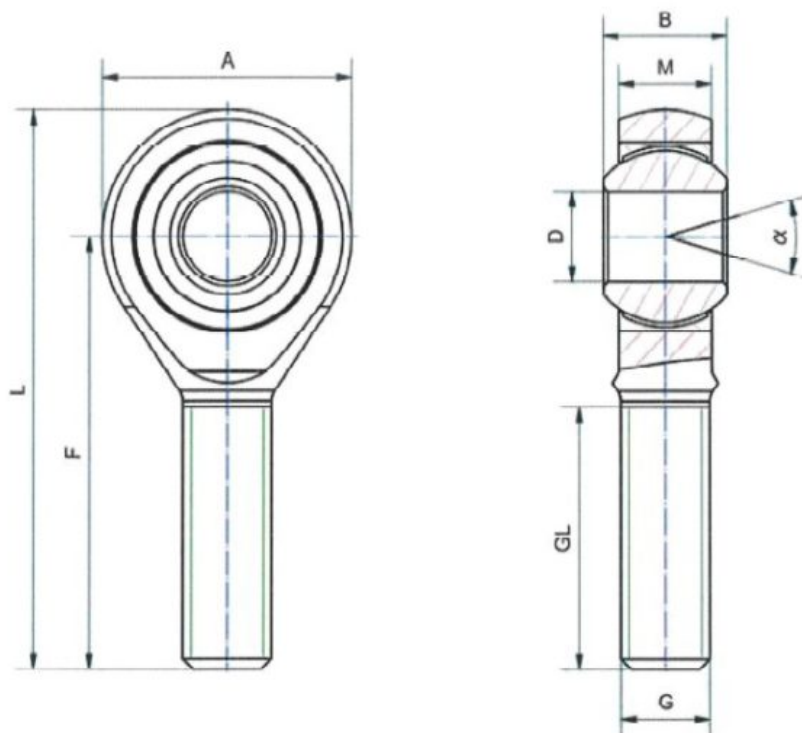
Data Sheet



Article number: 03802012C

Description: Fluro rod end
GKAW 12 ICR

Measures



A = 32
B = 16
F = 54
G = M12
GL = 32
L = 70
M = 12
O = 15.4